

2021-1332
2023-02-21

LED module Label

Vyv Antimicrobial Light

LED module

(If sold or used as part of complete lighting troffer, include the LED bulb label information on the outside packaging)

For use with Vyv, Inc approved overhead light fixtures

COMMERCIAL

REG. NO. 34711 P.C.P. ACT

KEEP OUT OF THE REACH OF CHILDREN

READ LABEL AND ANY OPERATING MANUAL BEFORE USING

When installed according to the user manual and used continuously as a supplement to regular cleaning practices, Vyv Antimicrobial Light reduces the amount of bacteria on hard non-porous surfaces.

Contents: 1 LED module

[Electrical Certification Logo]

Vyv Inc.
13 British American Blvd
Latham, NY
12110
UNITED STATES
(518)-833-0261



NOTES: READ THE LABEL AND ANY OPERATING MANUAL BEFORE USING

Use this unit only in the manner intended by the manufacturer. If you have questions, contact the manufacturer at the address or telephone number listed in the warranty.

Before servicing or cleaning unit, switch power off at service panel and lock the service disconnecting means to prevent power from being switched on accidentally. When the service disconnecting means cannot be locked, securely fasten a prominent warning device, such as a tag, to the service panel.

Installation work and electrical wiring must be done by a qualified person(s) in accordance with all applicable codes and standards, including fire-related construction codes and standards.

- Installation should be completed by an individual familiar with the construction and operation of the luminaire.
- Installation of luminaire must be in accordance with nation and local building and electrical codes.
- Carefully read and follow all warnings and instructions before installing or servicing the luminaire.
- Do not restrict luminaire ventilation.
- Ensure luminaire is not covered with material that will prevent convection or conduction cooling.
- Do not exceed luminaire's maximum ambient temperature.
- Ensure LED luminaire has the correct polarity before installation.

⚠ IMPORTANT SAFETY INFORMATION: READ AND FOLLOW ALL INSTRUCTIONS:

PRECAUTIONS:

WARNING – UV radiation emitted from this device. Unintended use of the device, or damage to the housing, may result in exposure to ultraviolet radiation. Ultraviolet radiation may cause eye and skin irritation. Avoid exposing eyes and skin to ultraviolet radiation.

Electric current can cause serious injury or death. For your safety follow these precautions:

- Installation work and electrical wiring must be done by a qualified person(s) in accordance with all applicable building codes and standards, including fire-rated construction codes and standards.
- Turn off power before product installation, servicing, and removal.
- Ensure supply voltage corresponds with the correct ballast/driver voltage.
- Avoid exposing wiring to metal edges and sharp objects.
- Properly ground the fixture and do not operate fixture without covers in place.

⚠ RISK OF FIRE:

The Luminaire must be connected to the mains supply according to its ratings on the product label. Use only UL approved wire for input/output connections. Minimum size 18 AWG. Keep flammable and combustible materials away from the light source and/or lens. Use correctly rated supply conductors as indicated by product labeling.

TO PREVENT PERSONAL INJURY:

- Allow luminaire to cool before handling luminaire.
- Wear safety glasses and gloves when handling luminaire to avoid physical injury.
- LED lights are extremely bright – care should be taken not to look directly at the light source. Safety glasses with tinted lenses are recommended (ANSI Z87.1 or equivalent).
- Always support the weight of the luminaire.

Vyv is not responsible for any injuries due to the improper installation or handling of its products.

NOTE:

- This model requires an accurate cutout of the luminaire opening.
- Based on maximum voltage restrictions for class 2 circuits in NEC/Canadian Electrical Code, the output cannot be accessible. This product has accessible output terminals. This product complies with this requirement since the installation instruction requires installation in Restricted Access Area.

Installation Instructions

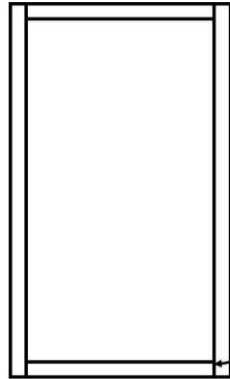
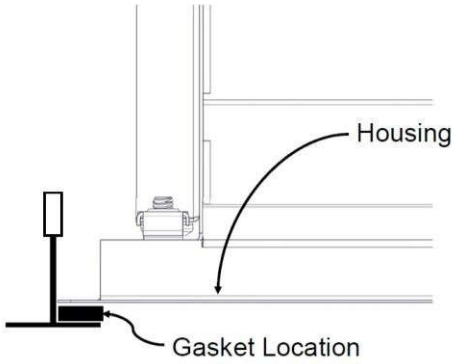
AVAILABLE MOUNTING OPTIONS:

The following mounting methods are available for this product:

Code	Description
N/A	Recessed Grid (T-Bar) Mounting
N/A	Drywall Installation

RECESSED GRID (T-BAR) MOUNTING:

Top View of Gasket Installation



Caution:

When peeling the film from gasket, do not stretch gasket while applying to avoid retraction.

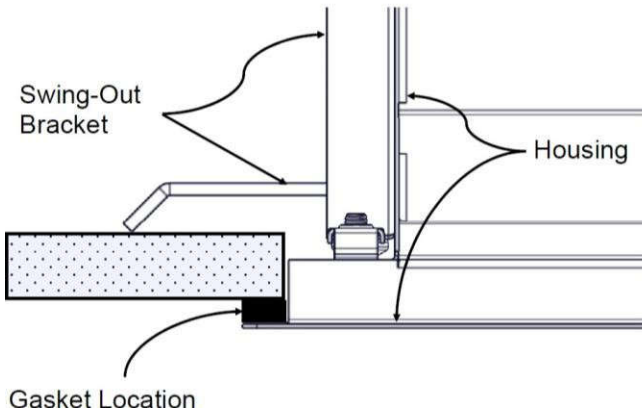
Gasket included to be applied by installer.

For T-Bar Gasket Location



- Align gasket with edge of flange.
- Ensure gaskets butt together at corners

DRYWALL INSTALLATION:



For Drywall Gasket Location



- Align gasket with inside edges.
- Ensure gaskets butt together at corners

CEILING CUT-OUT OPENING	
<u>1 X 4</u>	<u>28.58cm x 120.02cm</u> <u>(11.25" x 47.25")</u>
<u>2 X 2</u>	<u>59.06cm x 59.06cm</u> <u>(23.25" x 23.25")</u>
<u>2 X 4</u>	<u>59.06cm x 120.02cm</u> <u>(23.25" x 47.25")</u>

KIT No.	MODEL SIZE	QTY.	GASKET LENGTH
KIT00133	1x4	1 Roll	3.05m (10ft)
KIT00134	2x4	1 Roll	3.66m (12ft)
KIT00135	2x2	1 Roll	2.44m (8ft)

ELECTRICAL CONNECTIONS:

1. Remove the ballast cover and make the electrical connections to the power supply. Connect the black fixture wire to line voltage, the white wire to neutral, and the green wire to ground. Do not remove or use a different power cord fitting than the one supplied.
2. The mode switching wiring is installed as follows: Connect the yellow wire from each fixture together and to one end of a switch. Connect the orange wire from each fixture together and to the other end of a switch. If using an occupancy sensor instead of a switch, refer to (INS-404) for wiring details.
3. For units containing the Emergency Battery Pack (EBP) option, refer to the wiring diagram provided with the unit (INS-410).

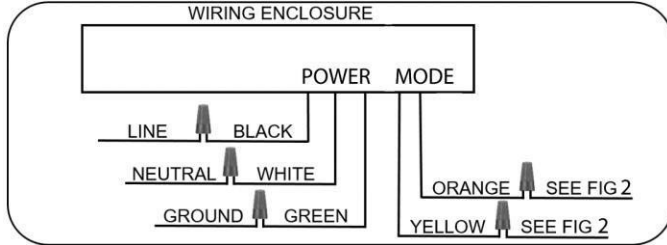


Figure 1: Wiring Diagram

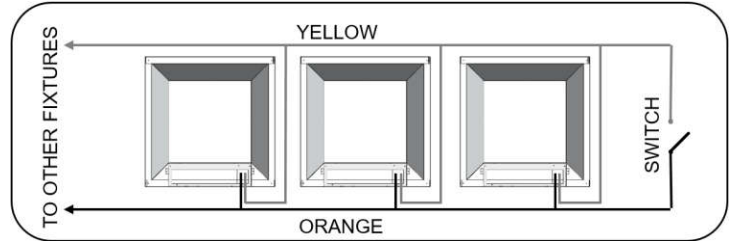


Figure 2: Dual Mode Wiring

FINISHING INSTALLATION:

1. Replace the ballast cover if applicable.
2. Replace the lens if applicable.
3. Ensure supply voltage corresponds with the correct ballast/driver voltage.
4. Before powering up fixture, perform appropriate testing to ensure the fixture is properly grounded.
5. Apply power. Ensure that fixture can be turned on and off and switch between modes.

DIRECTIONS FOR USE

The use of this LED module is a supplement to, and not a substitute for, standard infection control practices. Users must continue to follow all current infection control practices, including those practices related to cleaning and disinfection of environmental surfaces.

When installed under guidance by Vyv Inc. and used continuously as a supplement to a comprehensive cleaning and disinfection protocol, Vyv Antimicrobial Light LED Modules reduce the amount of bacteria on hard non-porous surfaces in direct line-of-sight of the lights.

This product is intended for use in overhead lighting applications. Only install in lighting fixtures manufactured or approved by Vyv Inc. Some types of fixture coverings can reduce the effectiveness of these lights. Only use fixture covers composed of materials approved by Vyv Inc.

In the event that replacement of the LED module is necessary, follow the instructions in the operating manual for the lighting fixture.

OPERATION:

Dual Mode wiring allows the unit to switch between Antimicrobial+Light Mode and Enhanced Antimicrobial Mode. The wiring is low voltage and comes wired as Normally Open, which means that the unit will be in its default Enhanced Antimicrobial Mode when the orange and yellow Dual Mode wires are disconnected.

Use 'Antimicrobial+Light Mode' when both continuous antimicrobial action and white light illumination are needed, and 'Enhanced Antimicrobial Mode,' which is teal-violet in appearance and emits a higher dosage of Vyv's antimicrobial wavelengths, when full illumination is not required.

Refer to Installation Instruction Supplement: (INS-402) for single driver fixtures or (INS-403) for 2 driver system fixtures.

For maximum antimicrobial effectiveness leave the light in "Enhanced Antimicrobial Mode" when white light illumination is not required.

Antimicrobial action stops when the unit is turned off entirely.

DISPOSAL:

For disposal of the LED module, dispose or recycle according to local applicable laws.

Maintenance Instructions

Turn power off before performing maintenance. Use a soft cloth to clean or dust the fixture. For heavy dirt or residue, use a soft cloth lightly dampened with soap and water or another mild cleanser. Warning: Do not use alcohol, abrasives or harsh solvents. The use of improper cleaning materials or methods can lead to degradation of the lens material which can inhibit the antimicrobial effect of the product.

For troubleshooting Tips, please contact Vyv.

Please refer to the most recent version of Vyv's Product Limited Warranty (LIT-027) to view Vyv's full warranty terms.

1-518-833-0261 • 13 British American Blvd., Latham, NY 12110 • vyv.tech

